

## PROPORTIONAL SOLENOID WITH LVDT FEEDBACK TRANSDUCER EPO-45-C

### APPLICATION:

Control of proportional hydraulic valves in power hydraulics systems.

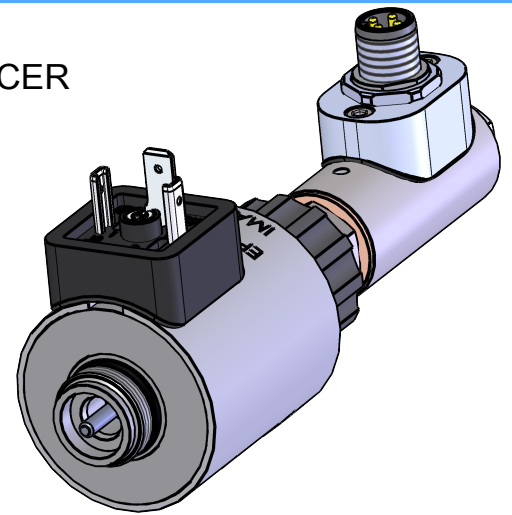
### TECHNICAL DESCRIPTION:

Solenoid EPO-63-C is supplied with direct current and operates in hydraulic oil environment.

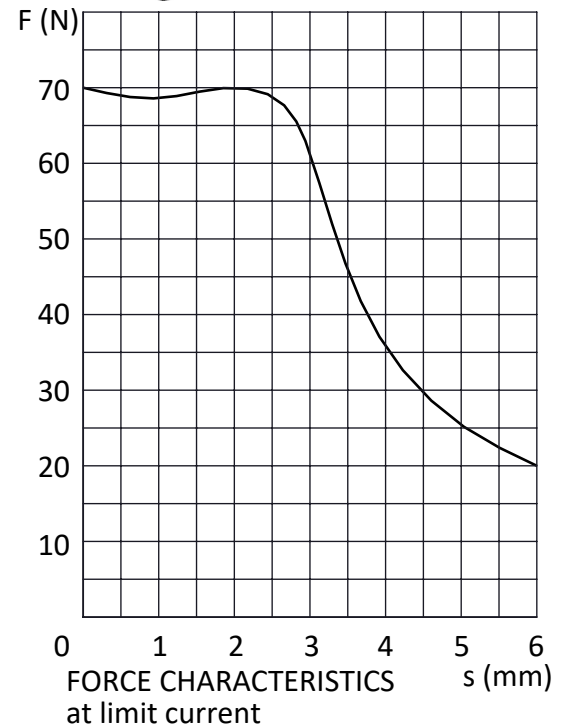
A complete product consists of two main parts: EPO-63 proportional solenoid and inductive position transducer LVDT 508 coupled with the movable plunger of the electromagnet.

All steel parts of the device are protected against corrosion by electro-galvanizing or are made of stainless steel.

Protection degree of IP65 is provided.



SOLENOID TECHNICAL DETAILS		VERSION	
Limit current	[A]	1,5	0,8
Nominal resistance	[Ω]	5,4	19,5
Working stroke	[mm]	3,0	
Work time	[%] ED	100	
Max. working oil pressure	[MPa]	25	
Rated force at limit current*	[N]	70	
Mounting: via central thread	[mm]	M20x1	
Max. ambient temperature	°C	+50	
Electrical connection		DIN 43650A	
LVDT TRANSDUCER TECHNICAL DETAILS			
Nominal voltage	V <sub>pp</sub> AC	10	
Supply frequency	kHz	2,5	
Rated current [RMS]	mA	50	
Electrical connection (acc. IEC 61076-2-101, coding A)		M12x1 4-PIN	



\* Due to natural dispersion, magnetic-force values may deviate by ±5%.

It is also possible to design solenoids that meet individual requirements, with parameters specified by the customer. The plug for the DIN 43650A socket is available on additional order.

### AVAILABLE SPARE PARTS:

1. Coil EPO-45
2. Complete tube EPO-45-C
3. Nut 45X
4. Transducer coil LVDT 508

